



Remote Display

Model 6000D



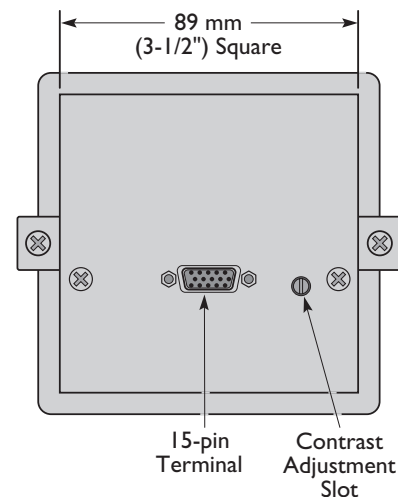
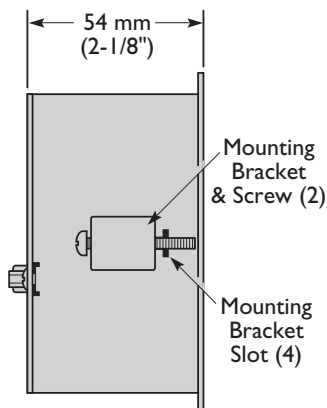
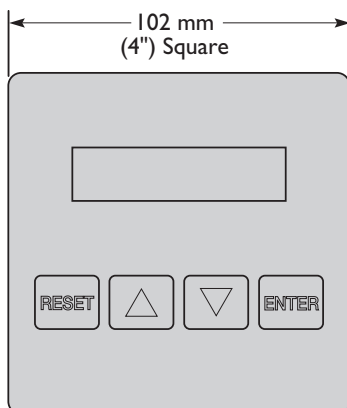
- LCD backlighting for easier readability
- Contrast adjustment
- Panel door mounting
- 183 or 305 cm (6 or 10 ft.) connecting cables available
- Reset key
- Operates with 6000 Series Multi-Flame or 6500 Series Bi-Flame controllers

This remote display operates with either the 6000 Series Multi-Flame or the 6500 Series Bi-Flame. It is connected to the motherboard by a 15-pin cable which must be purchased separately. This display shows burner sequence, elapsed time and lockout alarm history. The instruction manuals 820 (Multi-Flame) and 826 (Bi-Flame) provide details of the messages.

Specifications

| | |
|---------------------------|---|
| Part Number | 15422 (with remote reset and keypad) |
| Effective Range | Maximum of 10 feet (3 meters) from controller unit |
| Temperature Range | 0° to +60° C (32° to 140° F) |
| Shipping Weight | 0.7 kilograms (1.5 pounds) |
| Installation Requirements | 183 cm (6 ft.) 15-pin connecting cable (Part #15426) or 305 cm (10 ft.) 15-pin connecting cable (Part # 15426-1) <i>Note: Turn off power before inserting or removing cable connectors.</i> |

Dimensions





Offered By:

Power Equipment Company
2011 Williamsburg Road
Richmond, Virginia 23231
Phone (804) 236-3800
Fax (804) 236-3882

www.peconet.com